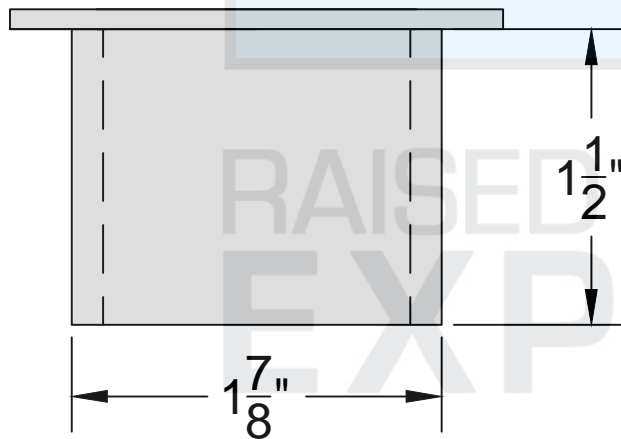
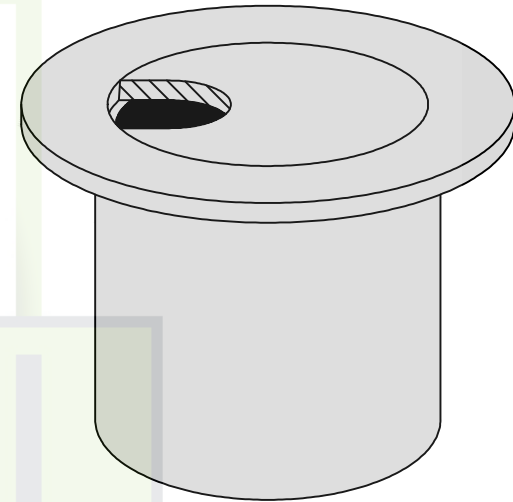
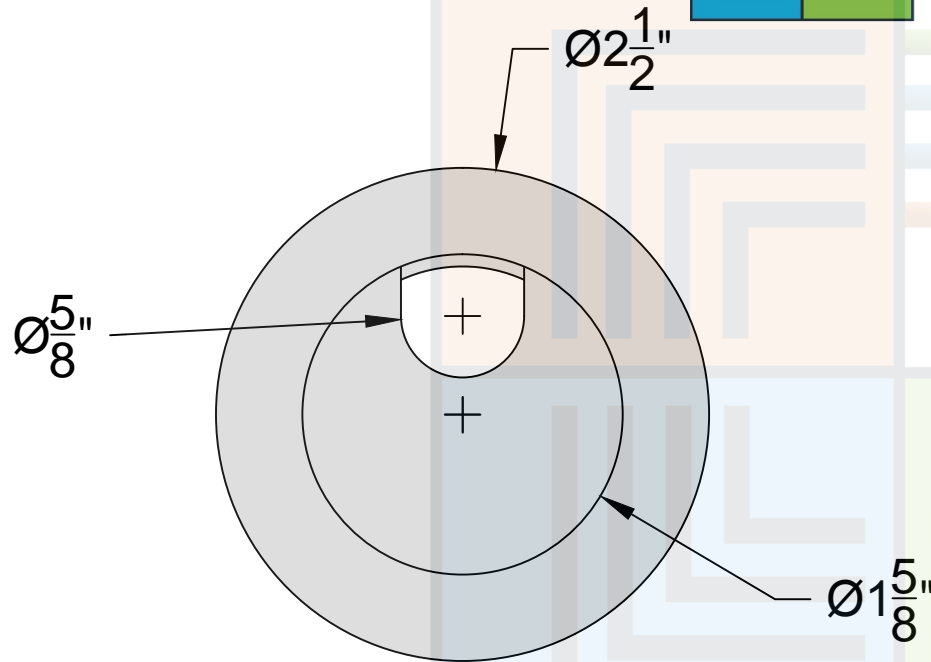




(800)-922-8661

Raisedflooringexperts.com

RAISED FLOORING  
**EXPERTS**



NOTES:

1 RECOMMENDED FLOOR TILE CUT-OUT DIMENSIONS  
- CENTER OF TILE = 2.0"

### Grommet Dimensional Drawing

Drawing No.:		Page 1 Of	1
Date:	5/23/2010	Revision	1
Part No.:	RF01		